
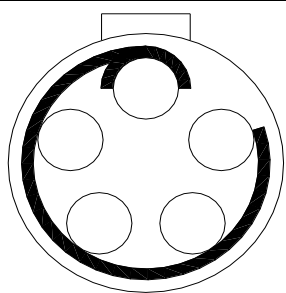


Part Number	INT13-TGG 0B 305 CLADXXZ	
Size/Series	0B (Metal (Mechanical Keying))	
MECHANICAL DETAILS		
Shell Style/Model	Straight plug, cable collet	
Keying	1 key (alpha=0,plug: male contacts,receptacle: female contacts)	
Housing Material	Brass (chrome plated) shell and collet nut,nickel plated brass latch sleeve and mid pieces.	
Cable Fixing	3.0 - 5 mm (0.11 - 0.2")	
Variant	None	
		
PERFORMANCE DETAILS		
Insert	5 Low Voltage	
Configuration	Brass (gold plated)	
Insulator	P: PPS	
		
Specifications	Low Voltage	Contact Type: Solder
		Max. Matings: 5000
		Contact Dia.: 0.7 mm (0.028")
		Bucket Dia.: 0.6 mm (0.024")

		Max. Solid Conductor: 0.09 mm ² (AWG 28)
		Max. Stranded Conductor: 0.09 mm ² (AWG 28)
		R (max): 7.5 mOhm
		Vtest (contact-shell): 700 V
		Vtest (contact-contact): 1000 V
		Rated Current: 6.5A (AC/DC)
OTHER CHARACTERISTICS		
Endurance (Shell):		5000 mating cycles
Temp (min)		-40 deg
Temp (max):		200 deg C
Humidity (max):		<=95% [at 60 deg C / 140 F]
Vibration		15 g [10 Hz - 2000 Hz]
Shock Resistance		100 g [6 ms]
Salt Spray Corrosion		>144 hr
IP Rating		50
Shielding (min):		75 dB (10 MHz)
Shielding (min):		40 dB (1 GHz)
P op (max):		60 bar (870 psi)