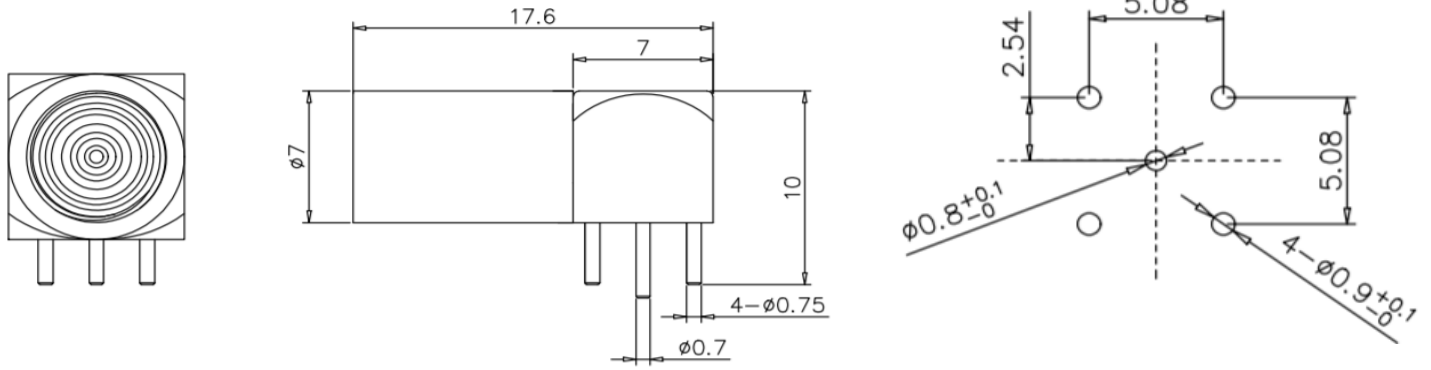


<b>Part Number</b>	INT13-ZPL.00.250.NTN
<b>Shell Style/Model</b>	Elbow receptacle for printed circuit



<b>Keying</b>	Circular, female
<b>Housing Material</b>	Brass (nickel plated) shell, collet nut, latch sleeve and mid pieces

### **PERFORMANCE DETAILS**

<b>Insulator:</b>	PTFE
<b>Contact Type:</b>	Coaxial 50 Ohm (Printed Circuit Board)
<b>Max. Matings:</b>	1000
<b>Contact Dia.:</b>	0.7 mm (0.028in)
<b>Bucket Dia.:</b>	0.6 mm (0.028in)
<b>Max. Solid Conductor:</b>	AWG 24
<b>Max. Stranded Conductor:</b>	AWG 24
<b>R (max):</b>	50 Ohm
<b>Vtest (contact-shell):</b>	3000V
<b>Vtest (contact-contact):</b>	2100V
<b>Rated Current:</b>	4 A (AC/DC)

### **OTHER CHARACTERISTICS**

<b>Temp (min):</b>	-55 deg
<b>Temp (max):</b>	200 deg C

<b>Humidity (max):</b>	<=95% [at 60 deg C / 140 F]
<b>Vibration:</b>	15 g [10 Hz - 2000 Hz]
<b>Shock Resistance:</b>	100 g [ 6 ms]
<b>Salt Spray Corrosion:</b>	>72 h
<b>IP Rating:</b>	IP50
<b>Shielding (min):</b>	75 dB (10 MHz)
<b>Shielding (min):</b>	40 dB (1 GHz)
<b>P op (max):</b>	60 bar (870 psi)
<b>P op (max):</b>	60 bar (870 psi)
<b>Shock Resistance</b>	100 g [ 6 ms]
<b>Salt Spray Corrosion</b>	>144 hr
<b>IP Rating</b>	50
<b>Shielding (min):</b>	75 dB (10 MHz)
<b>Shielding (min):</b>	40 dB (1 GHz)
<b>Leakage rate (He)</b>	<10 <sup>-7</sup> mbar.l/s